



ROSENBAUERAMERICA.COM  
**READY TO SERVE™**

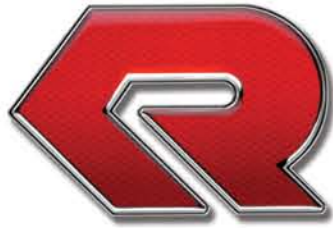
Central Division

100 Third Street • Lyons, SD 57041 • Phone: (605) 543-5591 • Fax: (605) 543-5593 • E-mail: sales@rosenbaueramerica.com



Pre-Engineered to Save you Time and Money.

Unit shown may have optional equipment.



**Designed for quick delivery**, this unit is a base model with a wide variety of pre-packaged options. **The Firestar Series, with pre-engineered options**, can be designed to meet your departments needs.

## Standard Features

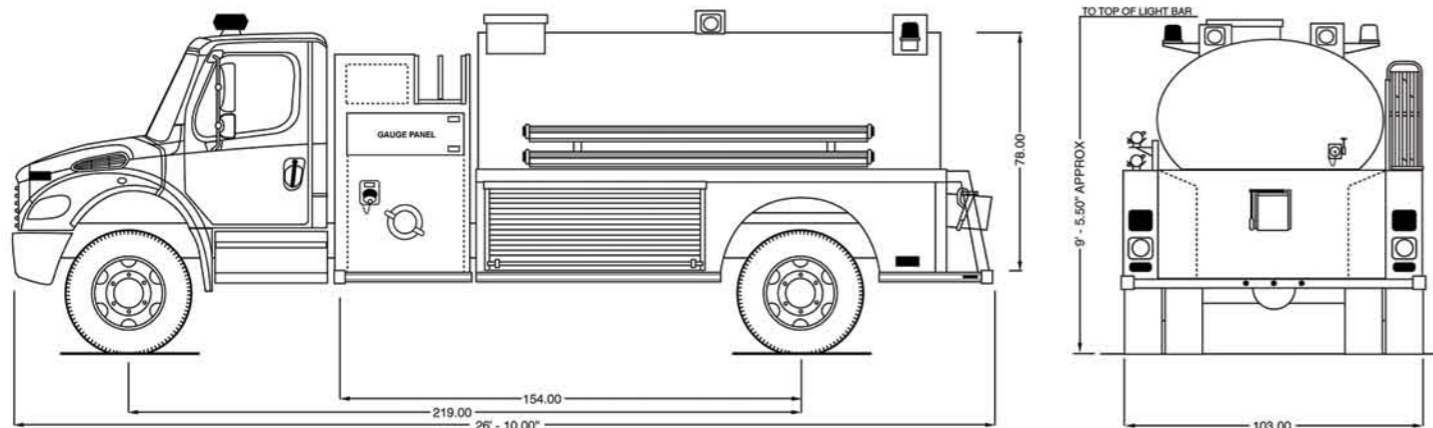
### Commercial Chassis

- > Two Door Freightliner M2
- > 300 Hp Cummins Engine (Diesel)
- > 3000 Series Allison Automatic
- > 270 Amp Alternator
- > 12,000 lb. Front Axle
- > 23,000 lb. Rear Axle
- > ABS Breaking System (Air)
- > Air Conditioning
- > Three Person Seating

### Body

- > Aluminum Body
- > 500 GPM PTO Pump
- > Electronic Governor/Gauge Package
- > (1) 4" Intake Each Side
- > (1) 2-1/2" Driver Side Discharge
- > (1) 2-1/2" Passenger Side Discharge
- > (1) 10" Rear Quick Dump
- > (2) 1-3/4" Crosslays
- > Chevron Style Reflective Striping on the Rear Body Face
- > Vehicle Data Recorder (VDR)
- > Seat Belt Warning System
- > Left & Right Low Compartments
- > Rear Deck Lights
- > Code 3 NFPA Light Package
- > Code 3 Siren w/Speaker
- > 4" Reflective Stripe (White)
- > Roll-Up Doors
- > 1800 Gallon Poly Tank w/Stainless Steel Wrap
- > Aluminum Crosslay Cover

Price: \$ \_\_\_\_\_



## Options

- International Two (2) door Chassis - IPO standard Freightliner
- (1) 2-1/2" Rear direct tank fill
- Deck gun provision
- Ladder mounts
- Hard suction mounts
- Folding tank carrier
- Air horns
- Whelen light package (strobe)
- Code 3 LED warning light package
- LED tail lights
- Chassis color:  Red  White
- Two tone cab paint Upper color: White Lower color code: \_\_\_\_\_
- Custom single tone chassis color - Color code: \_\_\_\_\_
- Lettering
- Equipment package:
  - (1) 24' extension ladder
  - (1) 14' roof ladder
  - (1) 10' attic ladder
  - (2) 4" hard suction hose with strainer
- 2100 Gallon folding tank
- Two (2) round side dump valves (power)
- Exterior cab trim package - includes chrome bumper and treadplate cab running boards
- Air compressor w/battery charger w/auto eject
- Hinged doors
- Wheel trim package
- Swivel dump valve extension

Total Cost: \$ \_\_\_\_\_

(FOB Lyons, South Dakota)  
Prices good through 12/31/10